

GILGEN CLOSING DEVICE BSV-FT

Reliable closing in the event of a fire alarm

Application possibilities

The independent closing device BSV-FT can be attached to a top hung or bottom running fire-rated single sliding door leaf. Power transmission is ensured via a continuous cable drive system. Thanks to its small size, this system can be mounted in different positions, depending on the particular situation and available space (lintel, wall, ceiling).

Function

The door is opened by hand. The integrated holding brake of the BSV-FT keeps the door in the open position. Thanks to the free-wheel function, the door can be easily actuated by hand in the everyday operating mode. As soon as a fire alarm is triggered, or in the event of a power failure, the holding brake is released and the door is automatically closed. The adjustable speed regulation feature guarantees a constant and controlled closing motion.

Manual opening

Following a fire alarm or a mains failure, the door remains closed. It can be manually opened, upon which it is automatically closed, resuming the fire protection function.

Available additional elements

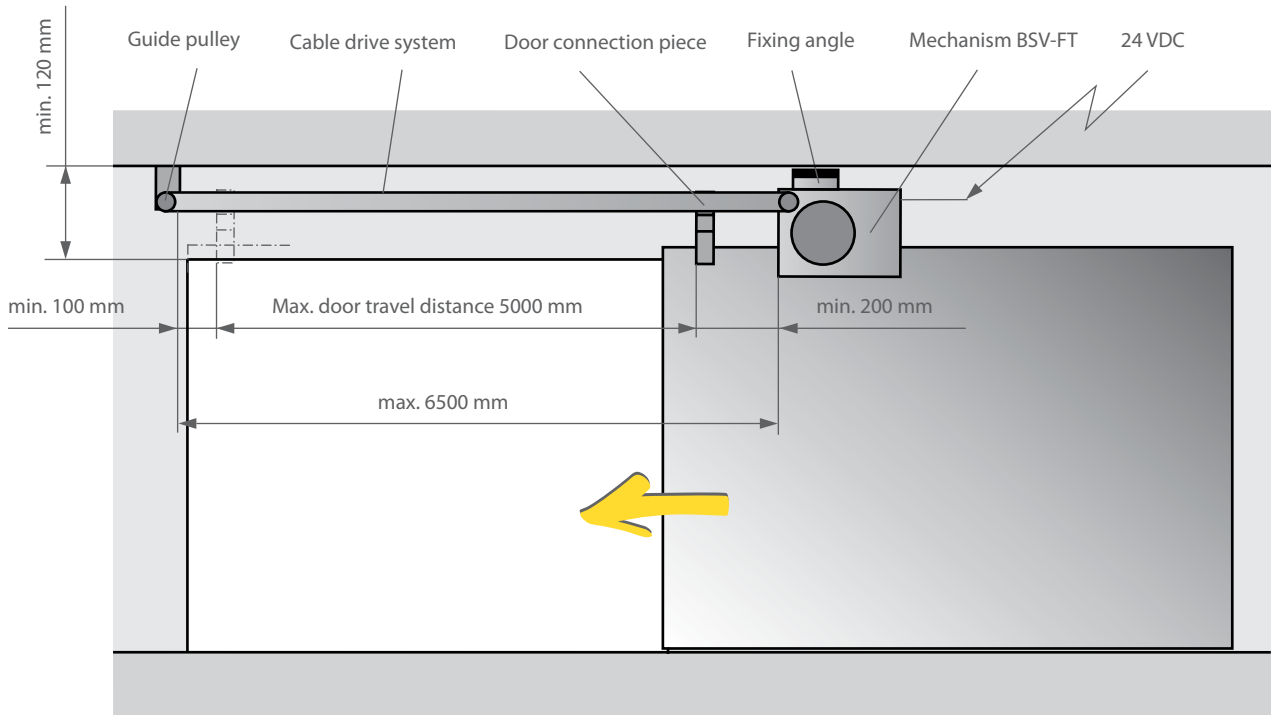
- Push-button CLOSE door
- Control BSV-FT
- Fire detector
- Additional fixing angle
- Door stop buffer
- Additional cable guide pulley



The Gilgen closing device BSV-FT is designed as a power driven independent closure of the manual fire-rated single sliding door leaf.



Gilgen closing device BSV-FT



For further assembly possibilities, please request the drawings.

Technical data

Max. door travel distance	5000 mm
Max. door weight	500 kg *
Max. traction torque	210 N
Min. holding pressure	100 N
Closing speed	0.08 - 0.2 m/s (adjustable)
Holding brake	24 VDC, 12 W (open circuit current)
Ambient temperature	between -15 °C and +75 °C
Protection rating	IP 20

* Maximum door weight depends on the required (net) start-up force. Depending on the door construction (e.g. with carrying rollers / track rails), the required start-up force can total up to 250 N per 500 kg of door weight

