

GILGEN FOLDING DOOR LEAF DRIVE UNIT DBXT-FF

Reliable, swift opening

The robustly-designed, high-performance Gilgen DBXT-FF folding door leaf drive unit is ideal for use in high-frequency operation. Reliable opening and closing are guaranteed, even in winds of up to 70 km/h, for doors and gates measuring from 4.5 × 4.5 m, and of up to 50 km/h for those measuring 5 × 5 m. The drive mechanism comes with an integrated, system-dependent locking system.

Versatile usage

- Easy to install
- Adjustable drive levers and drawbars, for optimum configuration of the drive
- Easy operation
- Reliable, long-term operation
- TÜV - tested drive units
- Sensitive electronic monitoring elements that conform to EN door and gate standards



The Gilgen DBXT-FF folding door leaf drive unit opens even heavyweight doors quickly, smoothly and reliably.

Possible applications

- High frequency of use
- Adjustable speed and force guarantee top security and an operation that ensures long material life
- Simple, fully-selectable program functions: "dead-man" mode, stepping switch or fully automatic
- External switch cabinet, installed at operating height, for connection of all operating and security/safety elements
- Manual actuation of the door, either directly from the drive mechanism or by means of an optional, handheld, remote-unlocking device, ensures trouble-free opening in the event of a power failure
- Selectable functions and other compatibility features ensure easy adaptation to the corresponding structural characteristics of the building

Doors

Gilgen's fully compatible DBXT-FF folding door leaf drive unit can operate all manner of doors, regardless of whether they are made of wood, plastic or steel.

Areas of application

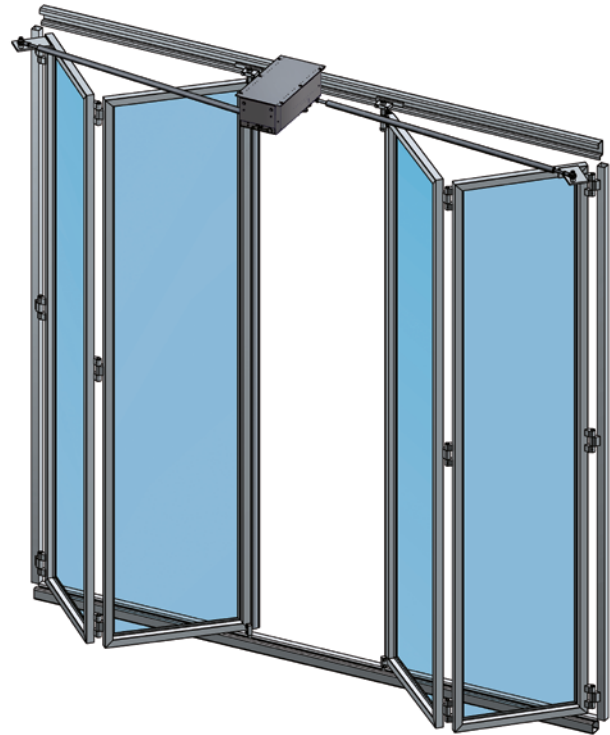
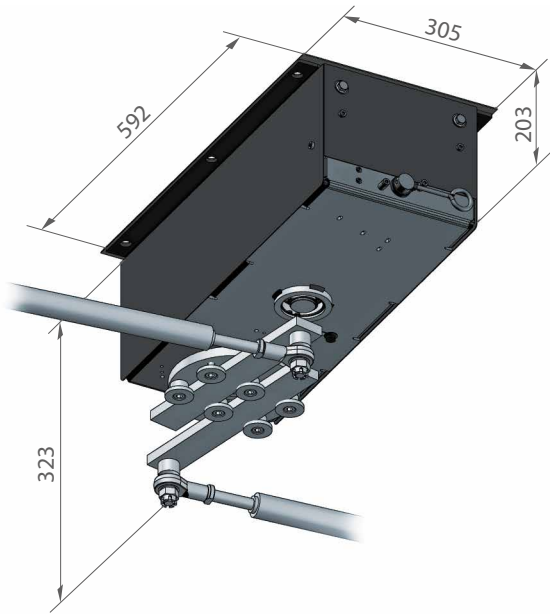
Doors with high user frequency in

- Fire departments
- Maintenance facilities
- Covered car parks
- Bus garages
- Workshops
- Warehouses
- Railway depots



Gilgen folding door leaf drive unit DBXT-FF

The automatic teach-in process guarantees optimal operating characteristics of the door.



Appropriate for the following door versions

- Combinations of 2 + 2, 2 + 0, 2 + 1 door leaves
Customary door sizes: 4 x 4 m, 4,5 x 4,5 m, 5 x 5 m
- Doors opening towards the inside or outside
Drive unit located inside or outside
Standard: Drive unit inside, door leaves opening towards the inside
- Max. weight per door leaf 300 kg

Technical characteristics

Mains power supply	230 V, 50/60 Hz
Fuse protection	13 A
Power consumption	750 W
Torque	at least 600 Nm
Opening time	8 ... 15 s (depending on the door width) for a door of 4 x 4 m: 9 s
Protection category drive unit and control	IP 54