

# GILGEN SLA SLIDING DOOR DRIVE UNIT, COMBINED WITH PSW PROFILE SYSTEM

## Heat-insulation made simple - the green door leaves

The Gilgen SLA sliding door drive unit offers carefully-developed functions and user-oriented quality.

The simple layout of its components guarantees fast installation and maintenance. An optimum solution, with a highly-attractive price/performance ratio.

The Gilgen heat-insulated automatic sliding door with thermally-insulated PSW profiles reliably protects the building with low U-values in order to prevent loss of energy. The door system also offers tested protection against currents of air and driving rain, and is highly wind-resistant.

### Versatile usage

- The ideal combination for a wide range of uses
- Heat-insulated
- Profiles based on the WICONA® profile system WICSTYLE 65
- Reliable, long-term operation

### Possible applications

- Single and bi-parting sliding doors
- Ideal for external facades
- With side panels
- With pocket screen
- Standard locking-system built into drive mechanism
- FLUVERI multi-point locking manual (integrated into door leaf)
- The use of a full length bottom guide rail is recommended
- Fixed point guide
- Can be attached to the door lintel or wall

### The entire system has been tested and certified by the ift Rosenheim and TÜV organisations

- "U"-value rating
- Low air-permeability
- High resistance to driving rain
- High wind-load capacity
- TÜV-approved, and conforms to the relevant norms and standards (such as EN 16005, DIN 18650).

### Glazing and infill options

- Insulating glass of 24 to 50 mm in thickness

### Surface finish of aluminium profiles

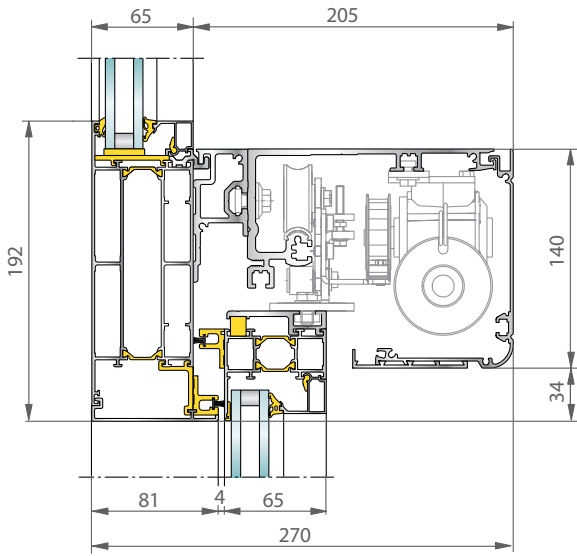
- Anodised (coloured or colourless)
- Can be supplied with any RAL colour finish



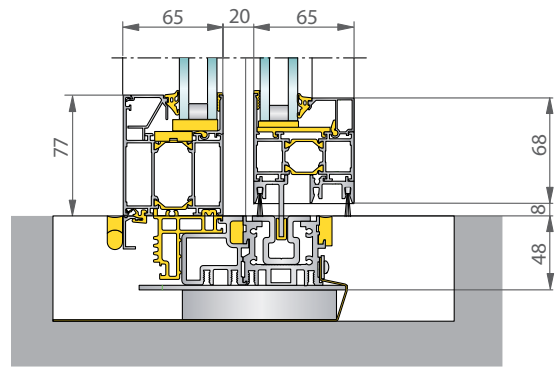
The combination of low "U" values, plus high resistance to currents of air, driving rain and wind, create a sliding door with optimum heat-insulation.



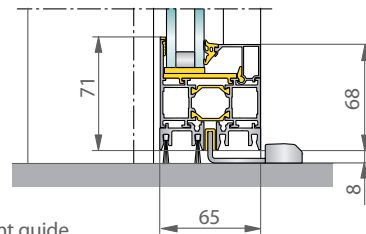
**Gilgen SLA sliding door drive unit, combined with the PSW profile system**



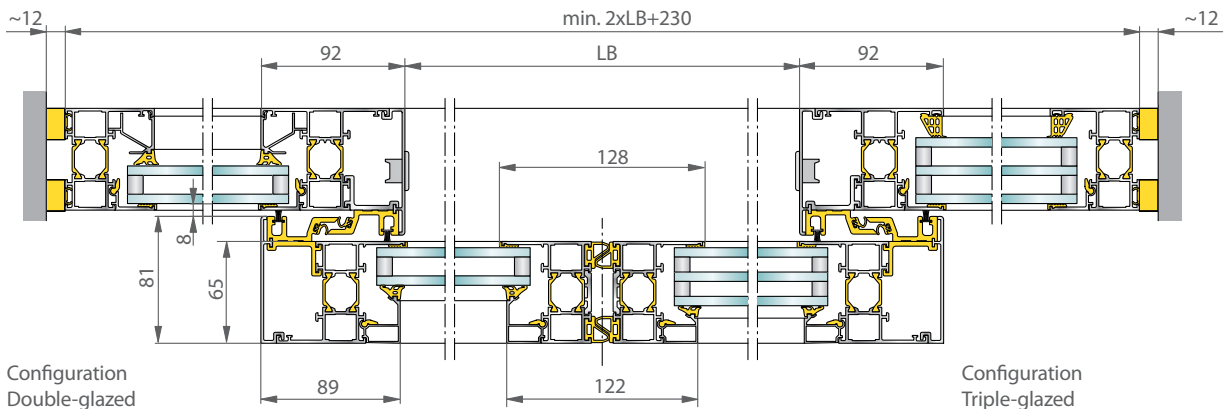
Single and bi-parting installations with glazed overhead panel



Continuous bottom guide rail



Fixed point guide



Configuration Double-glazed

Configuration Triple-glazed



**U-value rating (ift-tested Wictop® software)**  
U-value of just 1.5 to 1.9 W/(m<sup>2</sup>K) double-glazed insulation 1.1 and up to 1.0 with triple-glazed insulation 0.6



**Air permeability EN 12207 (EN 1026)**  
• Class 2 (<27m<sup>3</sup>/hm<sup>2</sup> at 100Pa)



**Resistance to driving rain EN 12208 (EN 1027)**  
• Class 5A (200Pa, 30min., 2-wing)



**Wind-load stress EN 12210 (EN 12211)**  
• Class B1 (400Pa, max. 1000Pa, 2-wing)

**Range of application for Gilgen SLA sliding door drive unit with PSW profile system**

		Bi-parting	Single door leaf
Sliding door SLA	Clear opening width	900 - 2950 mm	700 - 2000 mm
	Max. door leaf weight	2 x 120 kg	120 kg
	Max. clear height	3000 mm	3000 mm