

GILGEN SLX SLIDING DOOR DRIVE UNIT, COMBINED WITH PSA PROFILE SYSTEM

The designer-oriented drive system with glass leaves in low-profile frames

The Gilgen SLX sliding door drive unit is of modular design, to include all possible functions. With a header profile measuring just 100 mm in height, it fulfils the most exacting specification in terms of designer performance and aesthetic features. This powerful system can operate even heavyweight doors with smooth, robust efficiency. A special runner surface with rubber damping helps ensure quiet operation. The elegantly designed sensor system is built into the header profile.

Versatile usage

- Carefully designed profile system
- The vertically interlocking configuration of the door leaves offers guaranteed robustness and protection from draughts
- Simple installation

- Innovative dry-glazing system increases the robustness of the door leaf
- TÜV-approved, and conforms to the relevant norms and standards (such as EN 16005, DIN 18650).

Possible applications

- Single and bi-parting sliding doors
- Emergency-exit function (redundant configuration)
- With side panels
- The high proportion of glass and the slim profile makes this configuration ideal for design orientated architectural solutions
- Suitable for both internal and external use
- Standard locking-system built into drive mechanism
- With floor lock

- Flush bottom guide rail or fixed point guide
- Can be attached to the door lintel or wall
- With pocket screen

Glazing and infill options

- Safety glass ESG / VSG
- Glass thickness: 6, 8 or 10 mm
- Infill's made of plastic, aluminium and wood

Surface finish of aluminium profiles

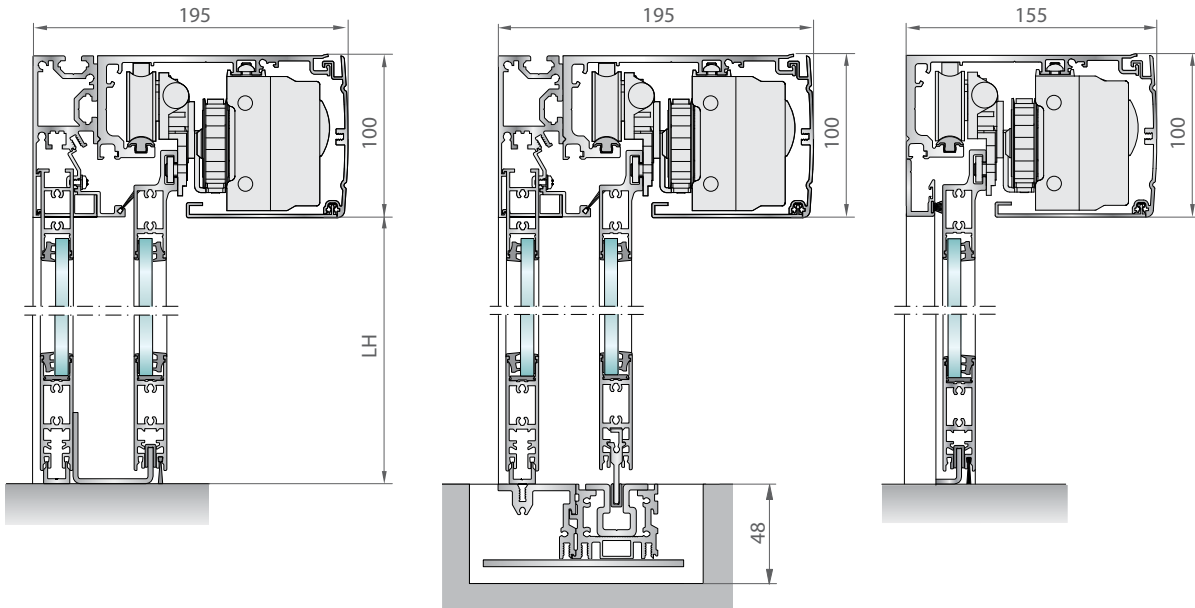
- Anodised (coloured or colourless)
- RAL colours, Polyester powder coating (PPC)



The carefully designed Gilgen PSA profile system protects the glass, while providing an impressively-slim profile and high level of robustness.



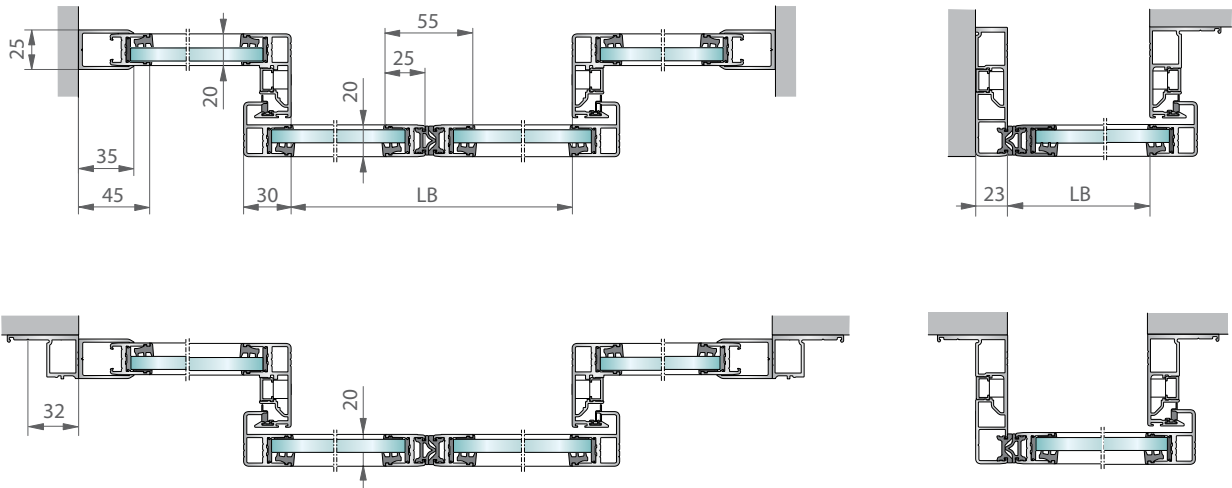
Gilgen SLX sliding door drive unit, combined with the PSA profile system



Single and bi-parting door systems with side panel with fixed point guide

Single and bi-parting door systems with side panel and continuous bottom guide rail

Single and bi-parting door systems without side panel but with fixed point guide



Range of application for Gilgen SLX sliding door drive unit with PSA profile system

		Bi-parting	Single door leaf
Sliding door SLX	Clear opening width	800 - 2500 mm	700 - 1300 mm
	Max. door leaf weight	2 x 100 kg	100 kg
	Clear height	standard 2100 mm / possible up to 2500 mm	
SLX redundant	Clear opening width	900 - 2500 mm	950 - 1300 mm
	Max. door leaf weight	2 x 100 kg	100 kg
	Clear height	standard 2100 mm / possible up to 2500 mm	