

# GILGEN ROLEGARD HIGH SECURITY SHUTTER

## SR2-INS-TM

Insulated security shutter tested to LPS1175, issue 7, level 2 complete with tubular motor. Medium risk security to protect against determined opportunist attack. Insulation and acoustic performance

### Introduction

A range of specialist roller shutters with enhanced levels of tested security resistance. These products provide compliance with Insurance, Police Preferred Specifications and Secured by Design standards.

### Model/finish

The main shutter construction is a steel, foam filled profile, which is coated with Galfan, a zinc, aluminium finish with high corrosion resistance. Both faces are formed with an attractive curved micro-ribbed appearance. The reinforced galvanised steel side guides and aluminium bottom profile incorporate twin brush seals and a rubber bottom weather seal.

### Operation

Electrically operated by means of an integral tubular motor. Suitable for applications which have limited head space or require a compact appearance

and buildings which are limited to a single phase mains supply. Manual override is via a hand crank.

### Door controls and locking

Local controls are normally by means of a low level set of push buttons or a key switch, dependant on operational requirements. Anti-jacking locking provision is provided by a pair of guide mounted, key operated pin locks positioned on the inside of the shutter at low level.

### Typical applications

Shutters with integral tubular motors are normally limited to openings which require low cycle usage for example shop fronts, commercial entrances or vehicle access routes with low traffic requirements.

### Options

- Paint finish BS / RAL common codes

- Group command controls
- Remote control
- Hood cover
- Activation and safety systems

### Standard Performance

Manufactured and supplied in accordance with the safety and performance characteristic requirements of BS EN 13241-1. Electrical controls – IP54  
Wind pressure: Class 3 (Beaufort 11, 73mph, 700N/m<sup>2</sup>)  
Thermal insulation:  
U value = 3.8W/m<sup>2</sup>.K  
Acoustic : Rw= 16db



Cert No. 1123a



LPS1175 issue 7  
Security rating (SR) 2

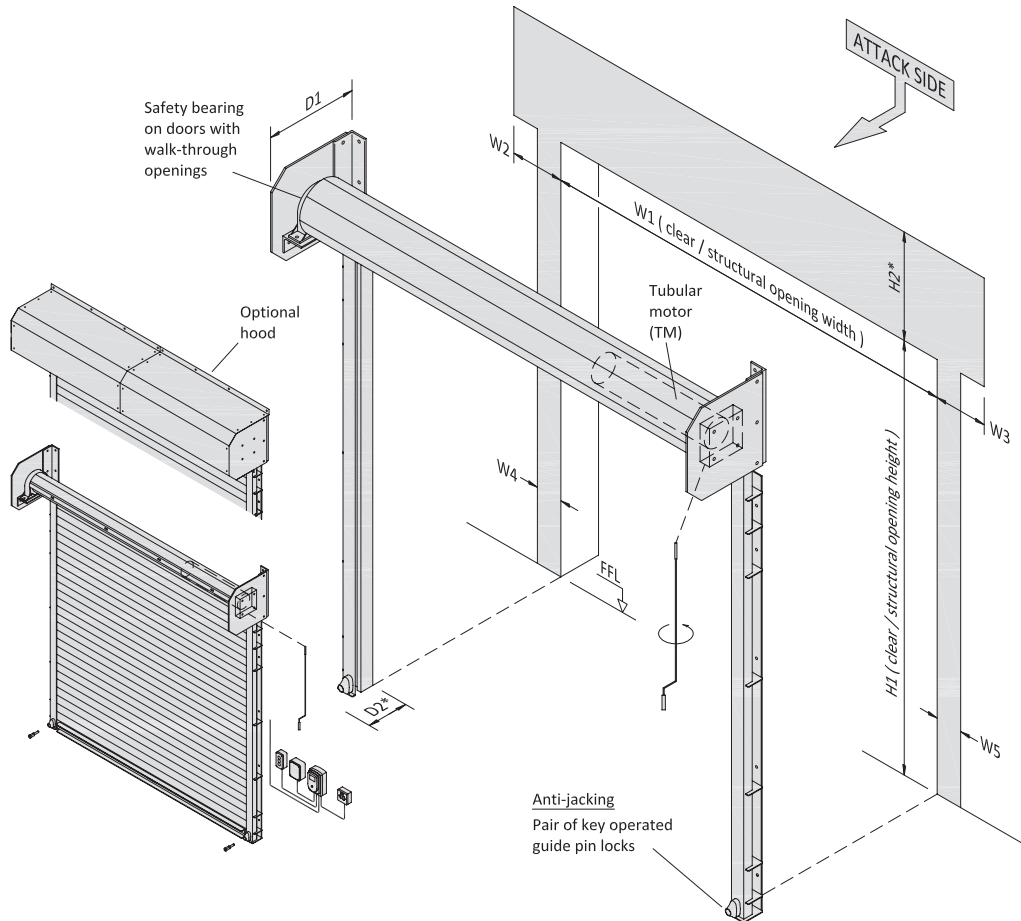


Sheet RHS 4

Refer to introduction sheet RHS 1 for details of full product range available

# Product details and space requirements

Product name	Model	Profile type (Main shutter curtain)	Security rating (SR)
Rolegard security	SR2-INS-TM	Curved micro ribbed faces, insulated core	2



## Mains power supply requirements

230 volt AC, 1 phase supply

Sizes (width x height) are measured in metres and the maximum area is measured as square metres

Door area	W1	W2	W3	W4	W5	H1	H2*	D1	D2*
25	8000	195	195	125	125	4000	650	500	175
25	5000	195	195	125	125	6000	750	600	175
25	4000	195	195	125	125	8000	750	600	175

H2\* add 75mm if hood is required

D2\* allow extra 150mm at bottom of guide for locking access

Does not include space for controls or manual override access and use

Sheet RHS 4

Refer to introduction sheet RHS 1 for details of full product range available