

# GILGEN ROLEGARD HIGH SECURITY SHUTTER

## SR2-SS-DD

Security shutter tested to LPS1175, issue 7, level 2 with Direct Drive motor. Medium risk security to protect against determined opportunist attack

### Introduction

A range of specialist roller shutters with enhanced levels of tested security resistance. These products provide compliance with Insurance, Police Preferred Specifications and Secured by Design standards.

### Model

Shutter construction is galvanised steel, single skin, heavy gauge, concave profile with reinforced side guides and bottom profile.

### Operation

Electrically operated by means of an external direct drive motor. Suitable for applications which require a three phase mains power supply and heavy duty operation. Manual override is via a low level hand chain.

### Door controls and locking

Local controls are normally by means of a low level, wall mounted controller. Included are push buttons for open, close and emergency stop functions. Anti-jacking locking provision is provided by a pair of guide mounted, key operated pin locks positioned on the inside of the shutter at low level.

### Typical applications

Shutters with external direct drive motors are normally used on buildings with three phase mains power supply such as industrial applications which may require medium to heavy usage for example vehicle access doors.

### Options

- Powder coat finish BS/RAL common codes

- A range of activation controls, sensors and switches
- A range of safety devices
- Remote controls
- Hood and motor covers

### Standard Performance

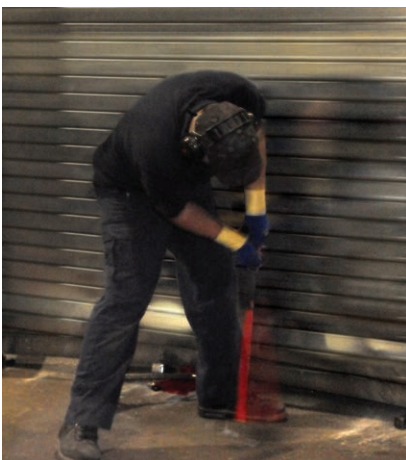
Manufactured and supplied in accordance with the safety and performance characteristic requirements of BS EN 13241-1. Electrical controls – IP65  
Wind pressure: Class 3  
(Beaufort 11, 73mph, 700N/m<sup>2</sup>)



Cert No. 1123a



LPS1175 issue 7  
Security rating (SR) 2

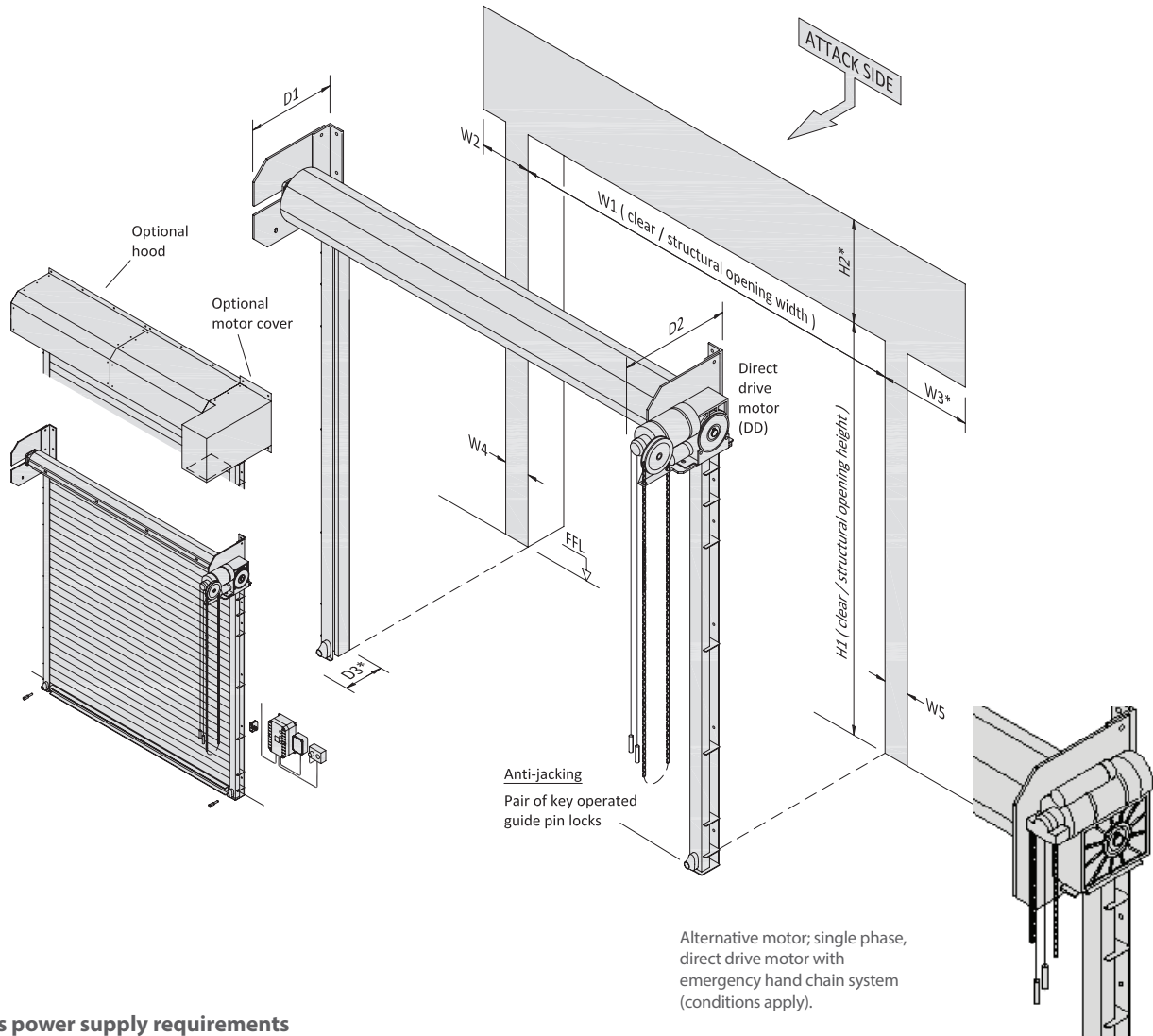


Sheet RHS 3

Refer to introduction sheet RHS 1 for details of full product range available

# Product details and space requirements

Product name	Model	Profile type (Main shutter curtain)	Security rating (SR)
Rolegard security	SR2-SS-DD	Concave face, single skin	2



## Mains power supply requirements

415 volt AC, 3 phase and neutral supply

Sizes (width x height) are measured in metres and the maximum area is measured as square metres

Door area	W1	W2	W3*	W4	W5	H1	H2*	D1	D2	D3*
32	8000	155	355	125	125	4000	500	425	975	175
48	8000	155	355	125	125	6000	575	500	1000	175
64	8000	155	355	125	125	8000	675	600	1050	175

W3\* add 200mm if access required for installation and removal of motor

H2\* add 75mm if hood is required and 85mm if safety edge is required

D3\* allow extra 150mm at bottom of guide for locking access

Does not include space for controls or manual override access and use

Sheet RHS 3

Refer to introduction sheet RHS 1 for details of full product range available