

GILGEN ROLEGARD HIGH SECURITY SHUTTER

SR5-B-DSHD-CD

Security tested to LPS1175, issue 7, level 5. Heavy duty double skin with chain drive motor. Protects against experienced attempts of mechanical or ballistic attack. Hurricane and blast performance.

Introduction

A range of specialist roller shutters with enhanced levels of tested security resistance. These products provide compliance with insurance and Police Preferred 'Secured By Design' standards.

Model

Double skin, heavy duty, flat faced profiles with added reinforcement for maximum resistance. Designed for harsh and very high risk environments. Tested to resist mechanical and ballistic attack with an inherent blast capability and ability to withstand hurricane level weather conditions.

Operation

Electrically operated by means of a heavy duty chain geared drive motor and separate safety brake. Suitable for applications which require a three phase mains power supply, and high quality drive system. Manual override is provided by a low level hand chain.

Door controls and locking

Local controls are normally by means of a low level, wall mounted controller which includes push buttons for open, close and emergency stop functions. Anti-jacking provision is provided by an Automatic Self Locking (ASL) system which usually negates the need for mechanical or electronic locks.

Typical applications

Shutters with external heavy duty chain geared motors are normally used on buildings with three phase mains power supply such as industrial applications which may require medium to heavy usage for example vehicle access doors.

Options

- Powder coat finish BS/RAL common codes (external face only)
- A range of activation controls, sensors and switches
- A range of safety devices
- Remote controls

- Hood and motor covers
- Automatic electronic anti-jacking bolts with monitored battery backup system*
- Ballistic Resistance: BS EN1522:1999 FB4 standard

Standard Performance

- Manufactured and supplied in accordance with the safety and performance characteristic requirements of BS EN13241-1
- Electrical controls - IP65
- Wind pressure: Class 5 (Beaufort 13, 93mph, 1000N/m2)
- Blast rated to 3 kpa (T&C's apply)
- Ballistic Resistance: BS EN1522:1999 FB3 standard

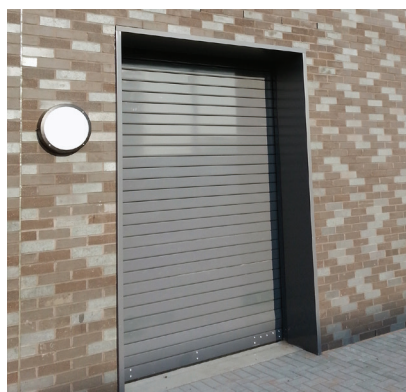


Cert No. 1123a

LPS1175 issue 7
Security rating (SR) 5



Ballistics test



External view

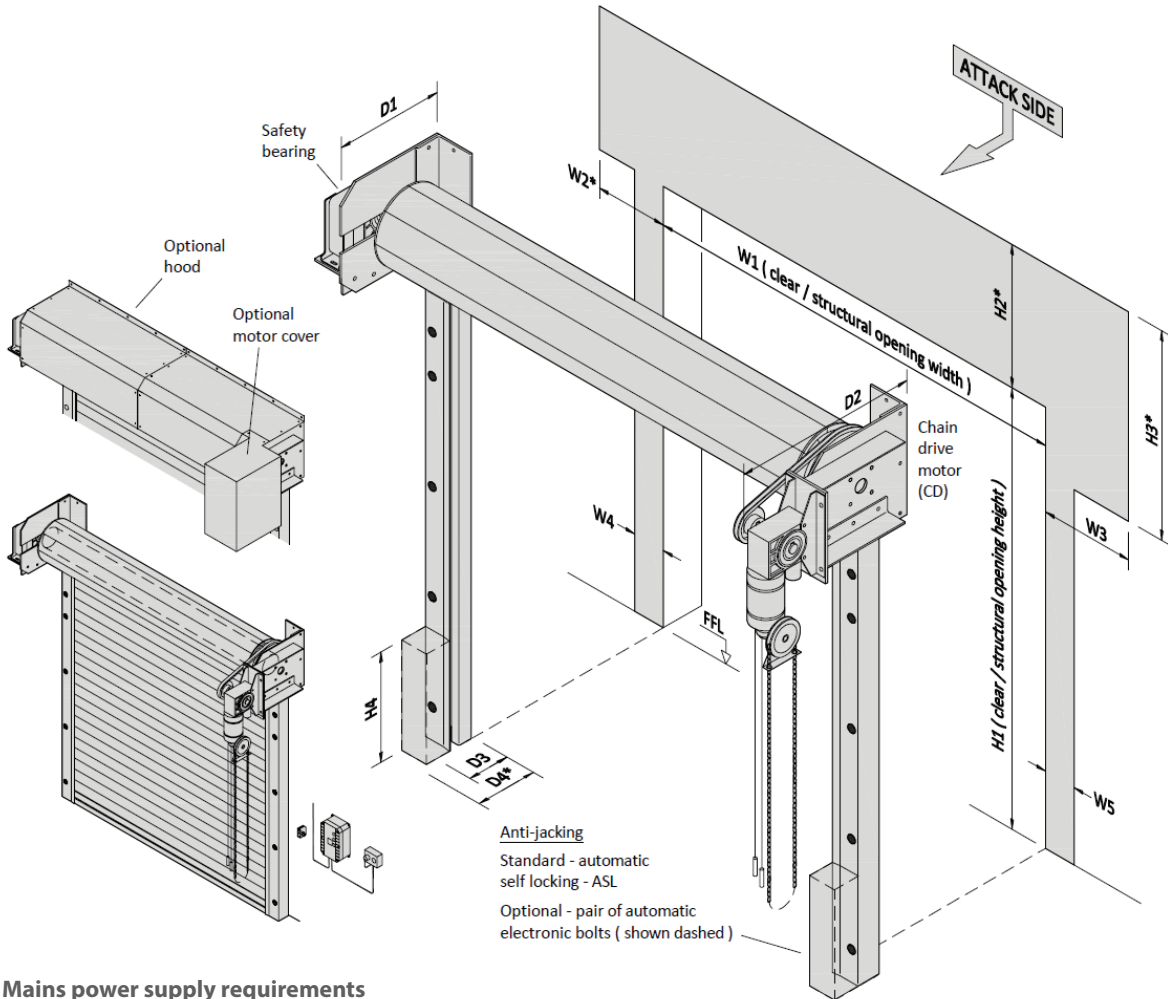


Internal view

* Electronic bolts are not necessary where automatic self locking (ASL) is specified, except where a specific security requirement exists for automatic physical lock / detection

Product details and space requirements

Product name	Model	Profile type (Main shutter curtain)	Security rating (SR)
Rolegard security	SR5-B-DSHD-CD	Flat faced, reinforced core	5



Mains power supply requirements

415 volt AC, 3 phase and neutral supply

Sizes (width x height) are measured in metres and the maximum area is measured as square metres

Door area	W1	W2*	W3	W4	W5	H1	H2*	H3*	H4	D1	D2	D3	D4*
27.5	8000	355	440	155	155	4000	750	1050	600	600	1075	175	225
27.5	6000	355	440	155	155	6000	850	1150	600	700	1100	175	225
27.5	5000	355	440	155	155	8000	950	1250	600	800	1150	175	225

W2* add 125mm if access required for installation and removal of safety beam

H2* add 75mm if hood is required and 85mm if safety edge is required

H3* add 75mm if hood is required and 85mm if safety edge is required

D4* optional electronic bolts - allow extra 125mm at bottom of guide for installation and servicing

Does not include space for controls or manual override access and use

Authorised Distributor:

Gilgen Door Systems UK Ltd.
 +44 (0) 800 316 6994
 info@gilgendoorsystems.co.uk
 www.gilgendoorsystems.co.uk